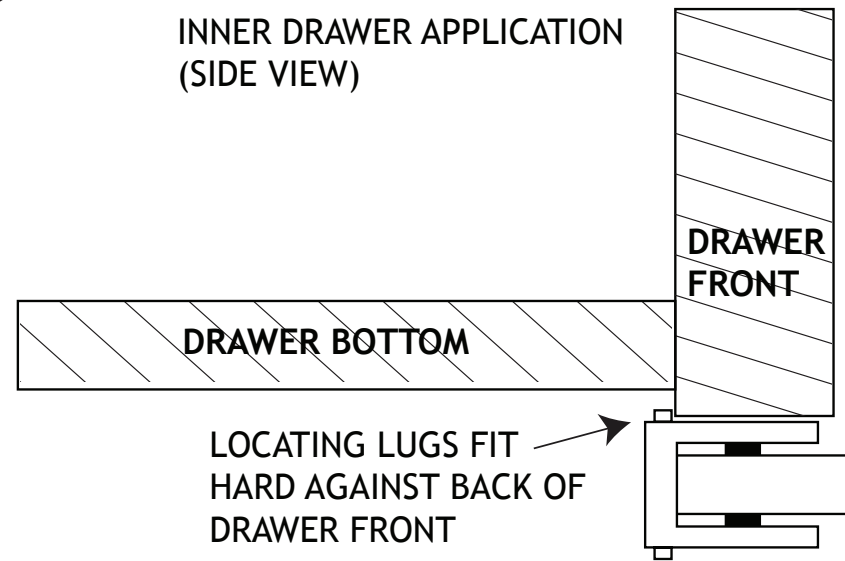


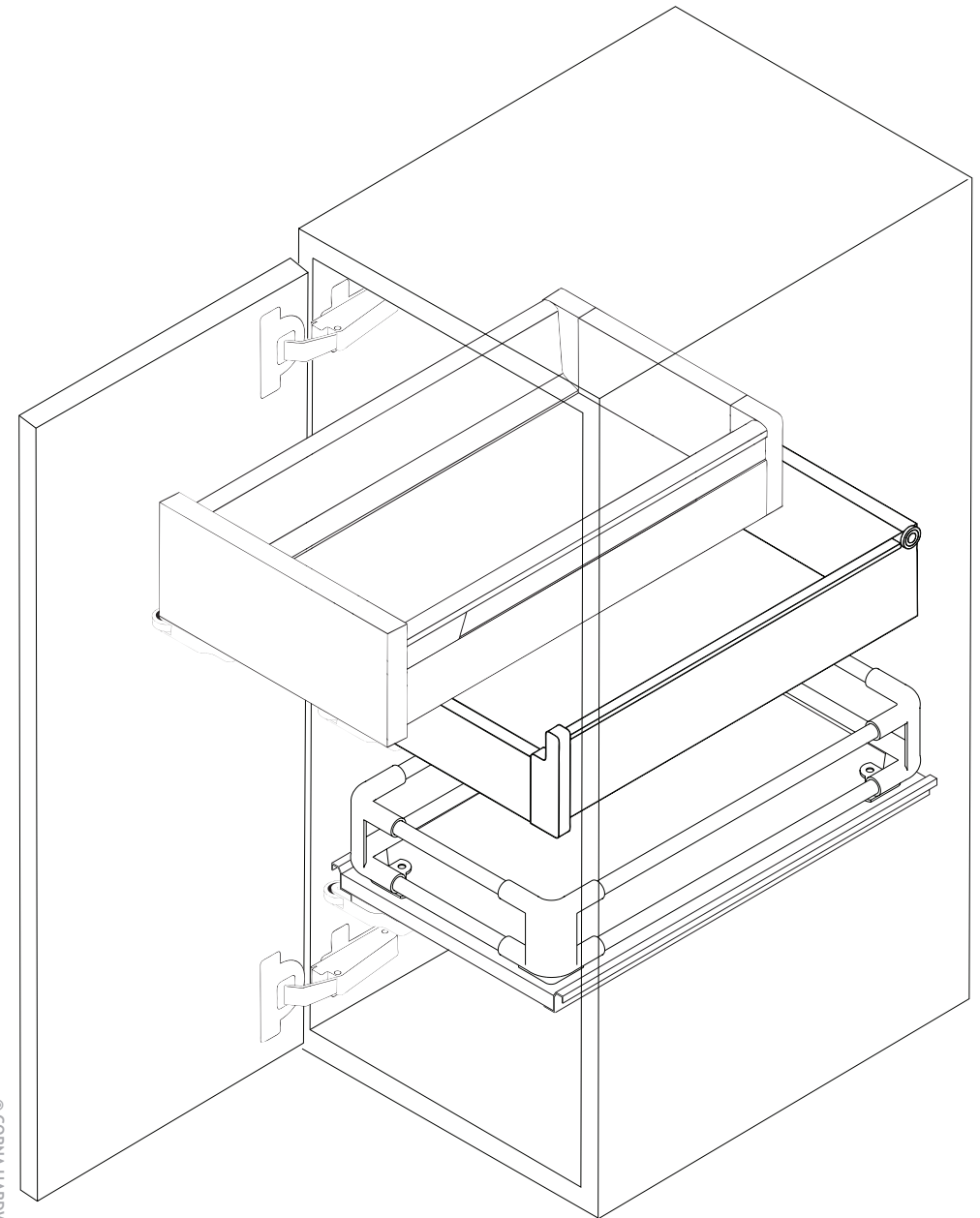
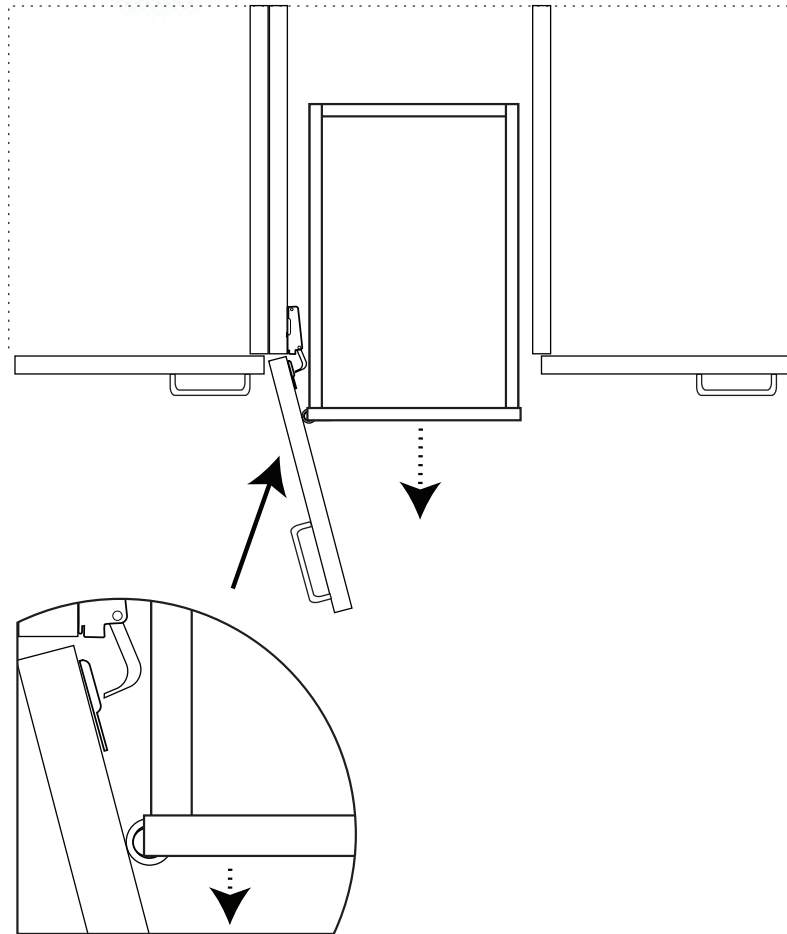
INNER DRAWER APPLICATION
(SIDE VIEW)



NAME:
Slide door protector - fitting instructions

PAGE:
1 of 7

DESCRIPTION:
Set drawer or shelf minimum 8mm back from the front edge of the cabinet.
Spacer, supplied with the protector, is not used in this application.



NAME:

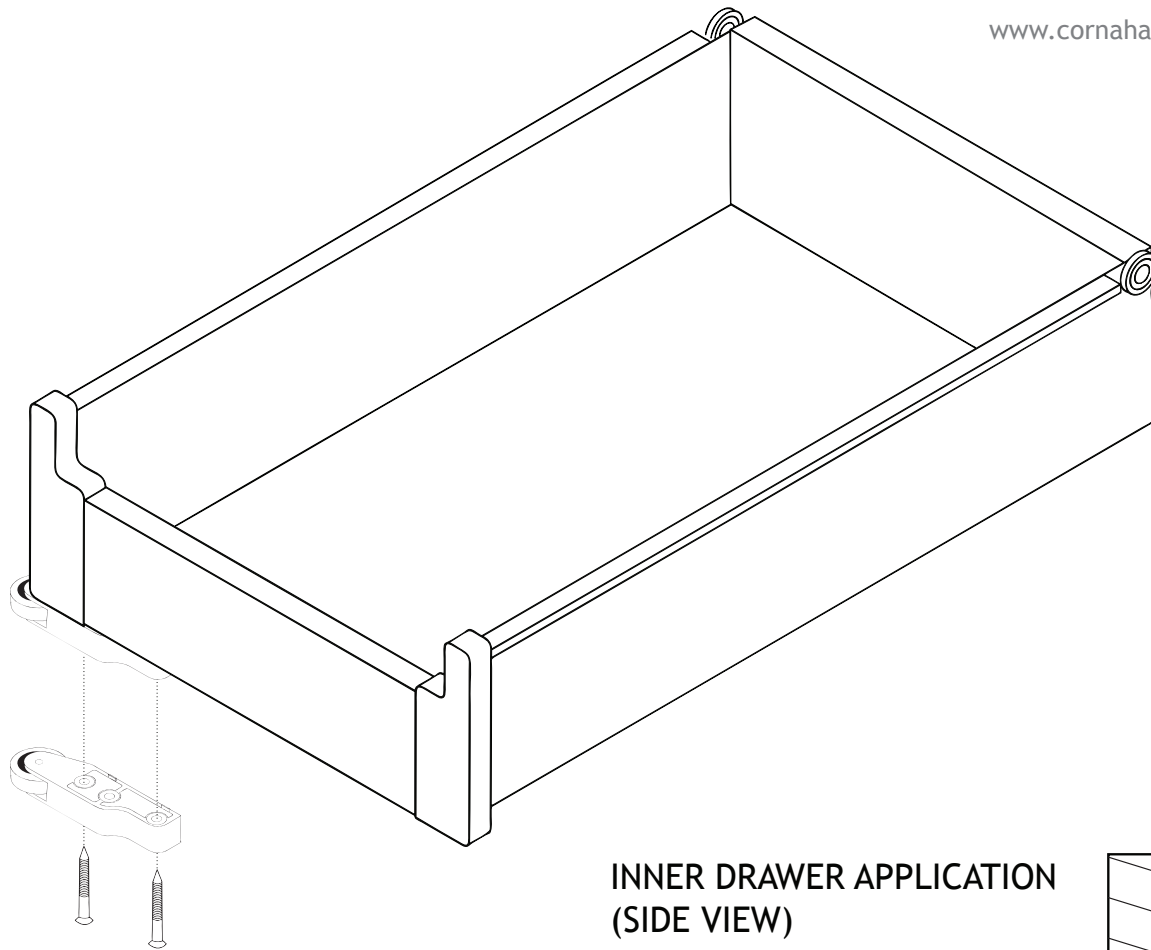
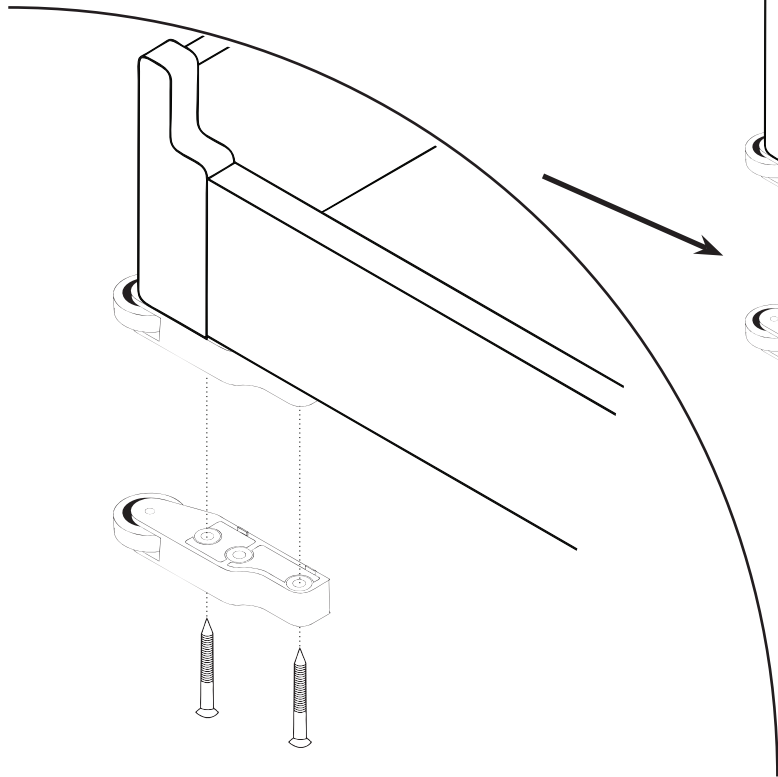
Slide door protector - fitting instructions

PAGE:

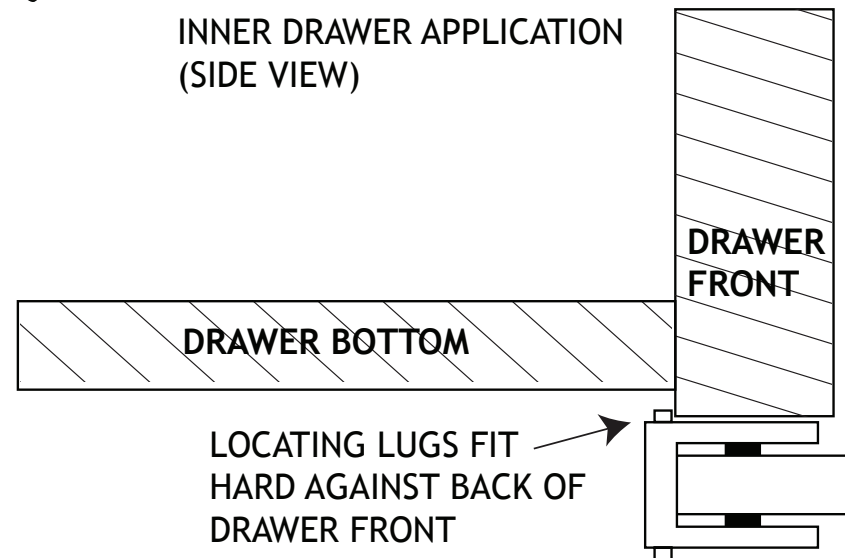
2 of 7

DESCRIPTION:

Set drawer or shelf minimum 8mm back from the front edge of the cabinet. Spacer, supplied with the protector, is not used in this application.



INNER DRAWER APPLICATION
(SIDE VIEW)



NAME:

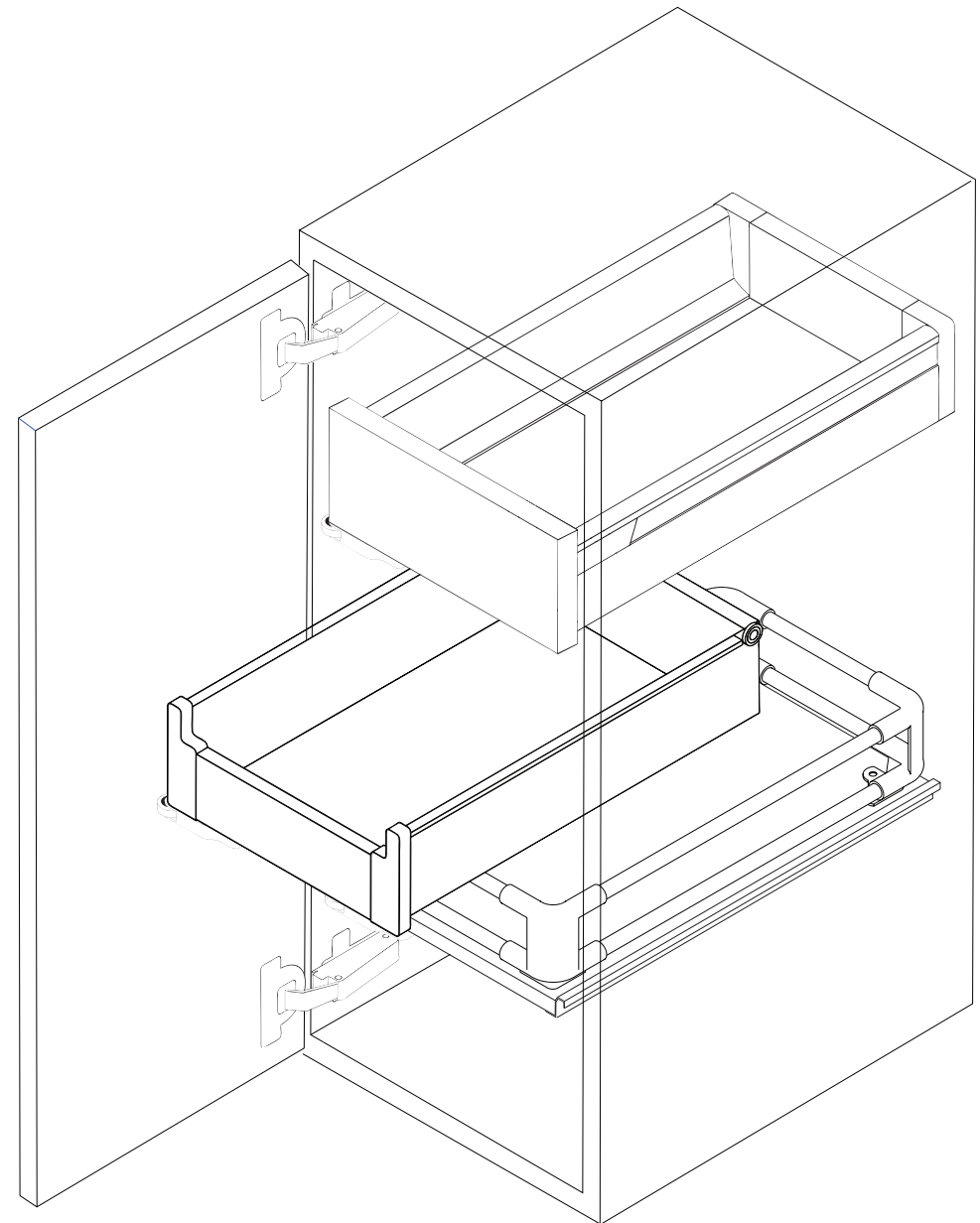
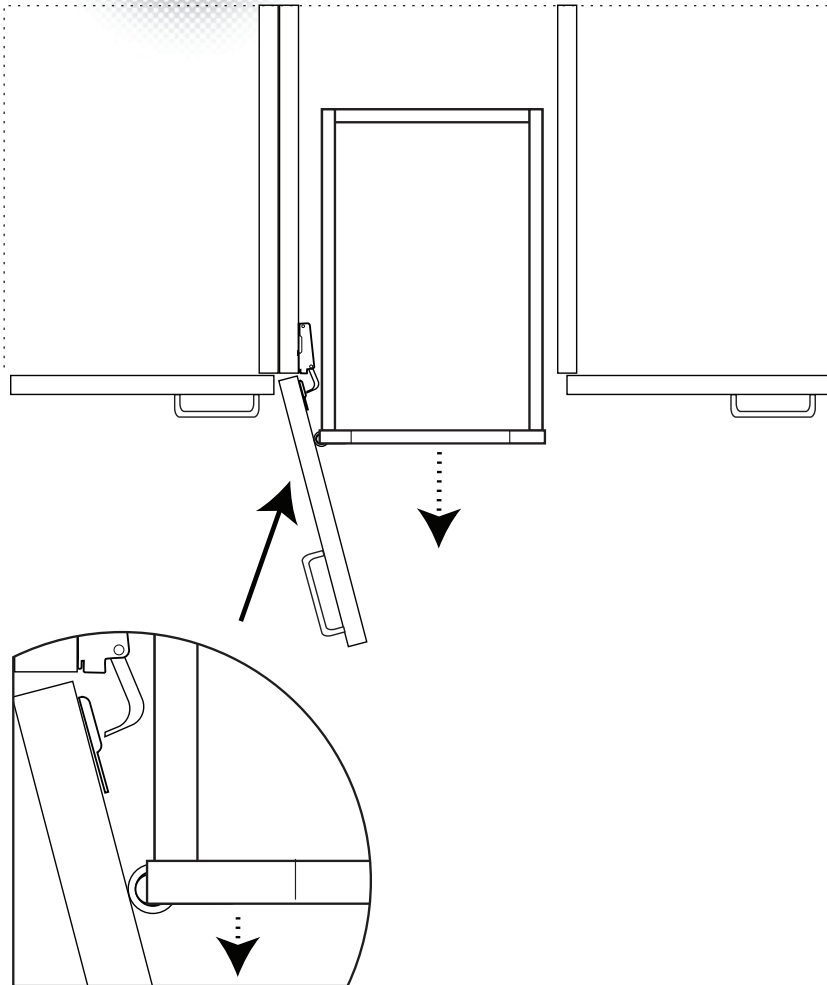
Slide door protector - fitting instructions

DESCRIPTION:

Set drawer or shelf minimum 8mm back from the front edge of the cabinet. Spacer, supplied with the protector, is not used in this application.

PAGE:

3 of 7



NAME:

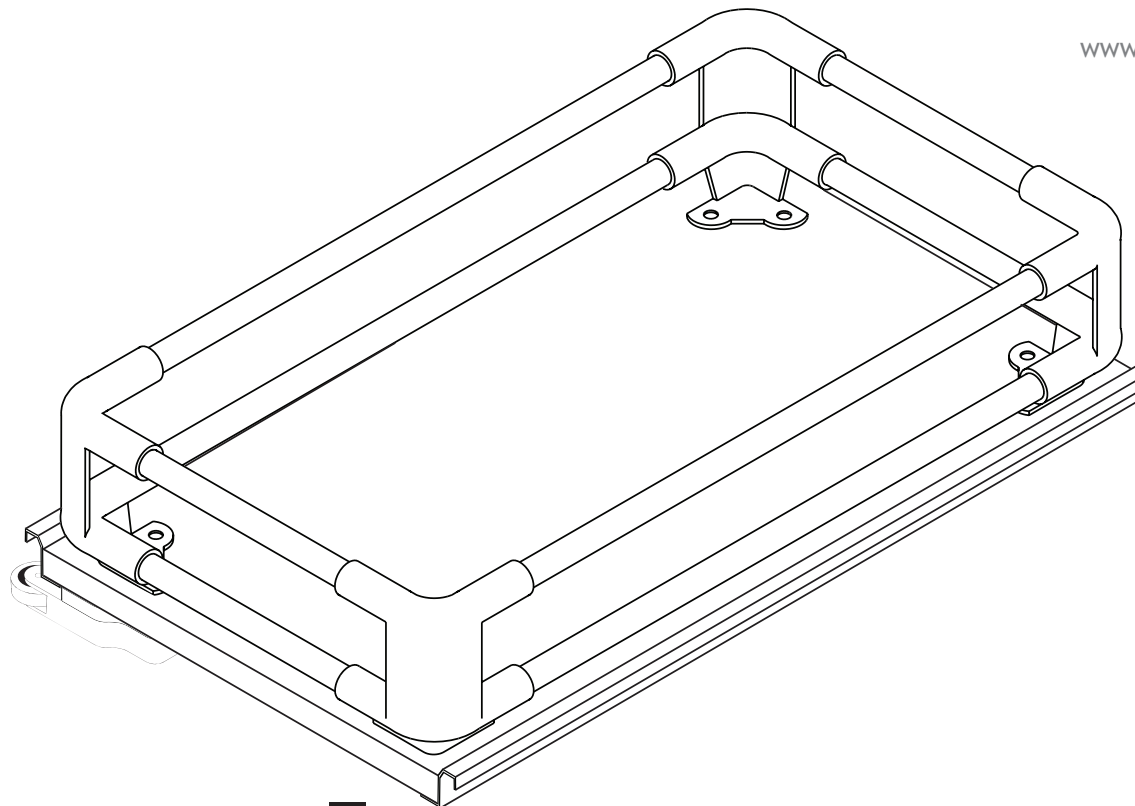
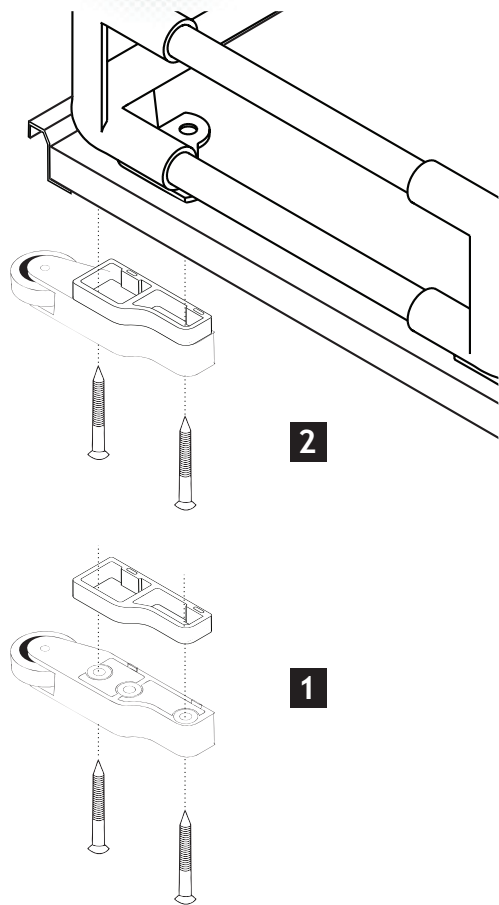
Slide door protector - fitting instructions

PAGE:

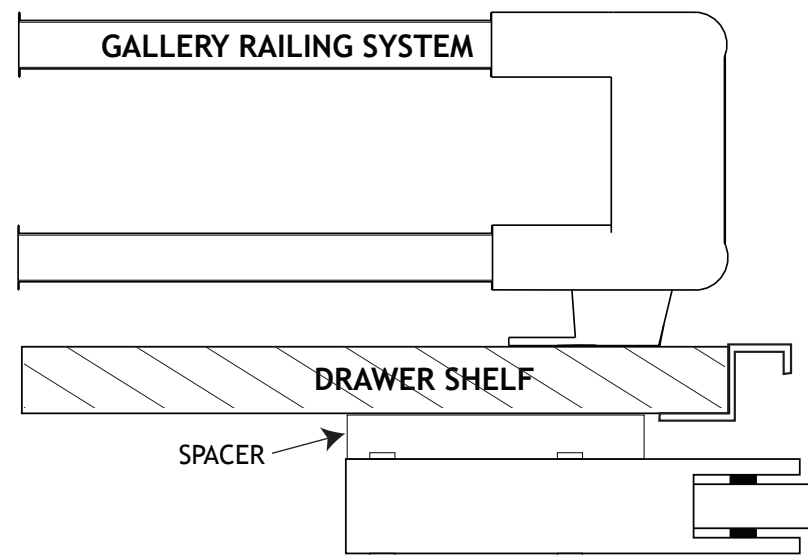
4 of 7

DESCRIPTION:

Set drawer or shelf minimum 8mm back from the front edge of the cabinet. Spacer, supplied with the protector, is not used in this application.



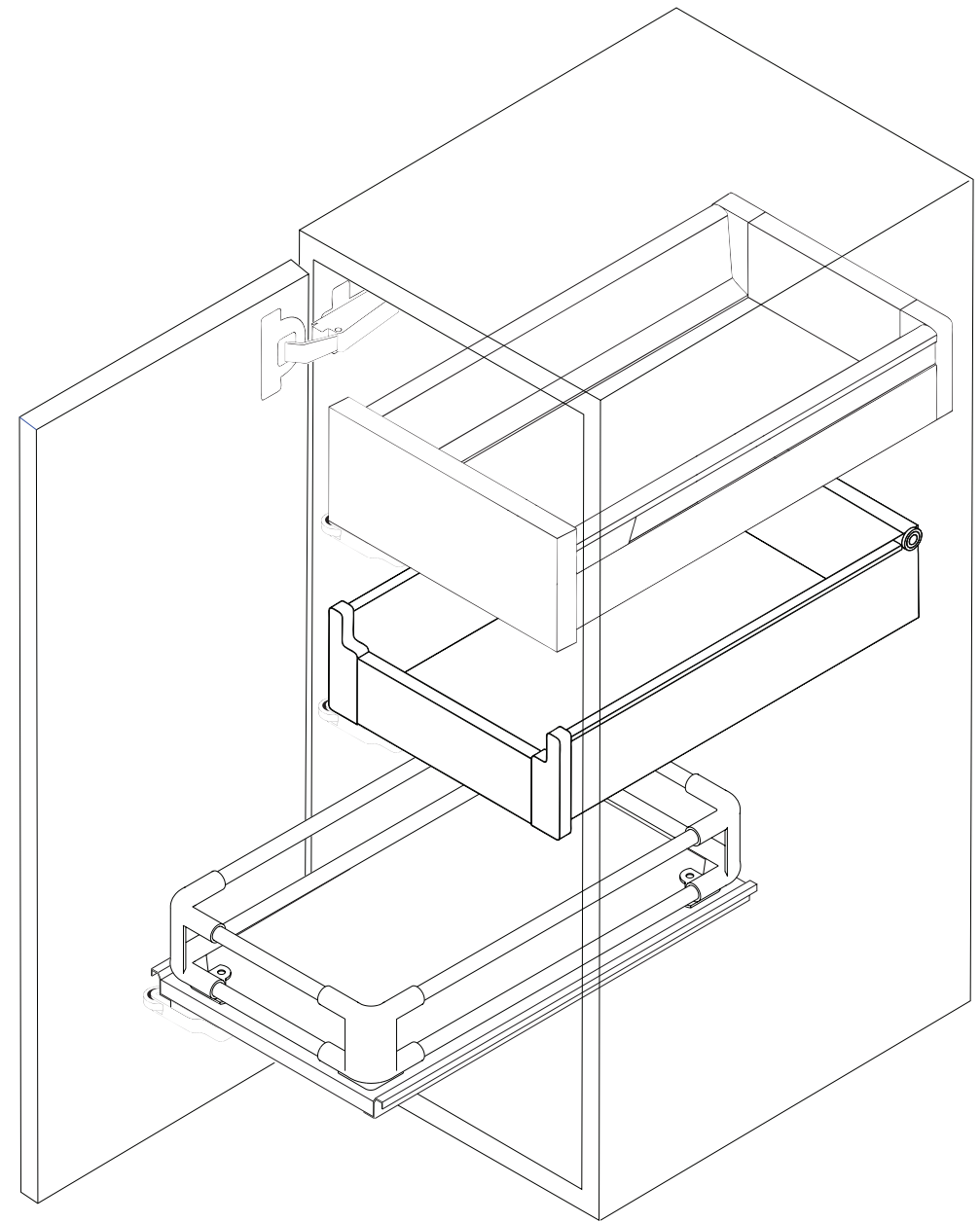
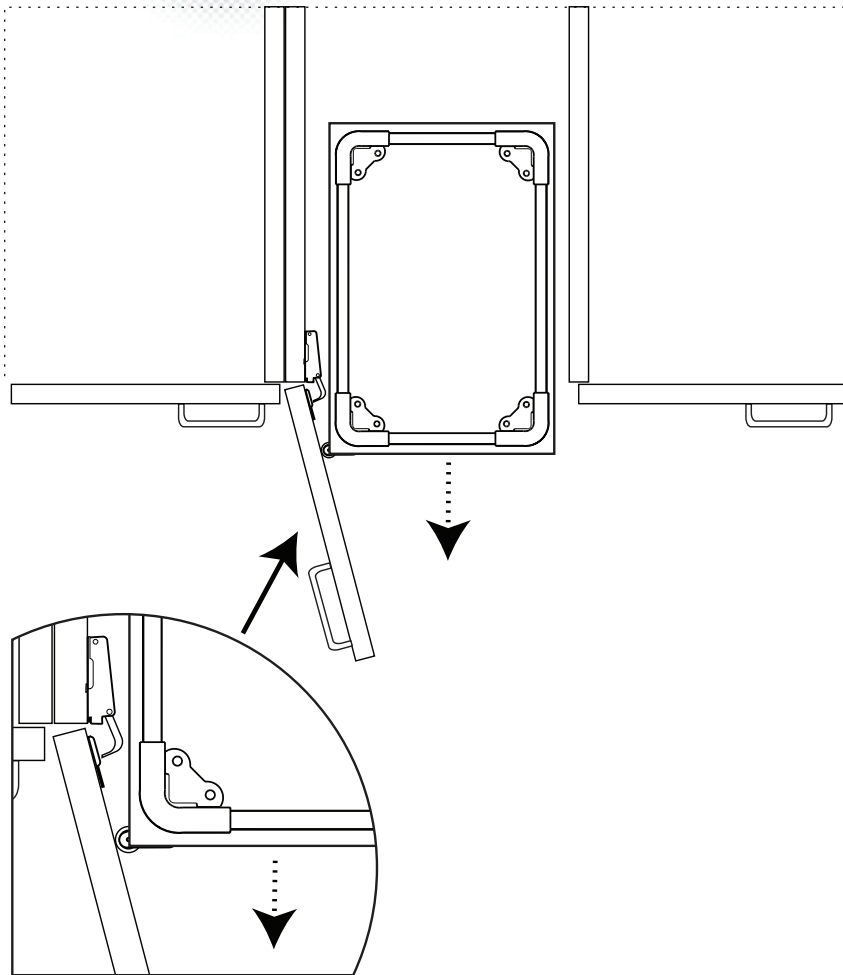
3
INNER DRAWER APPLICATION
(FRONT VIEW)



NAME:
Slide door protector - fitting instructions

PAGE:
5 of 7

DESCRIPTION:
Set drawer or shelf minimum 8mm back from the front edge of the cabinet.
Use spacer to clear runner with shelf mounting application.



NAME:

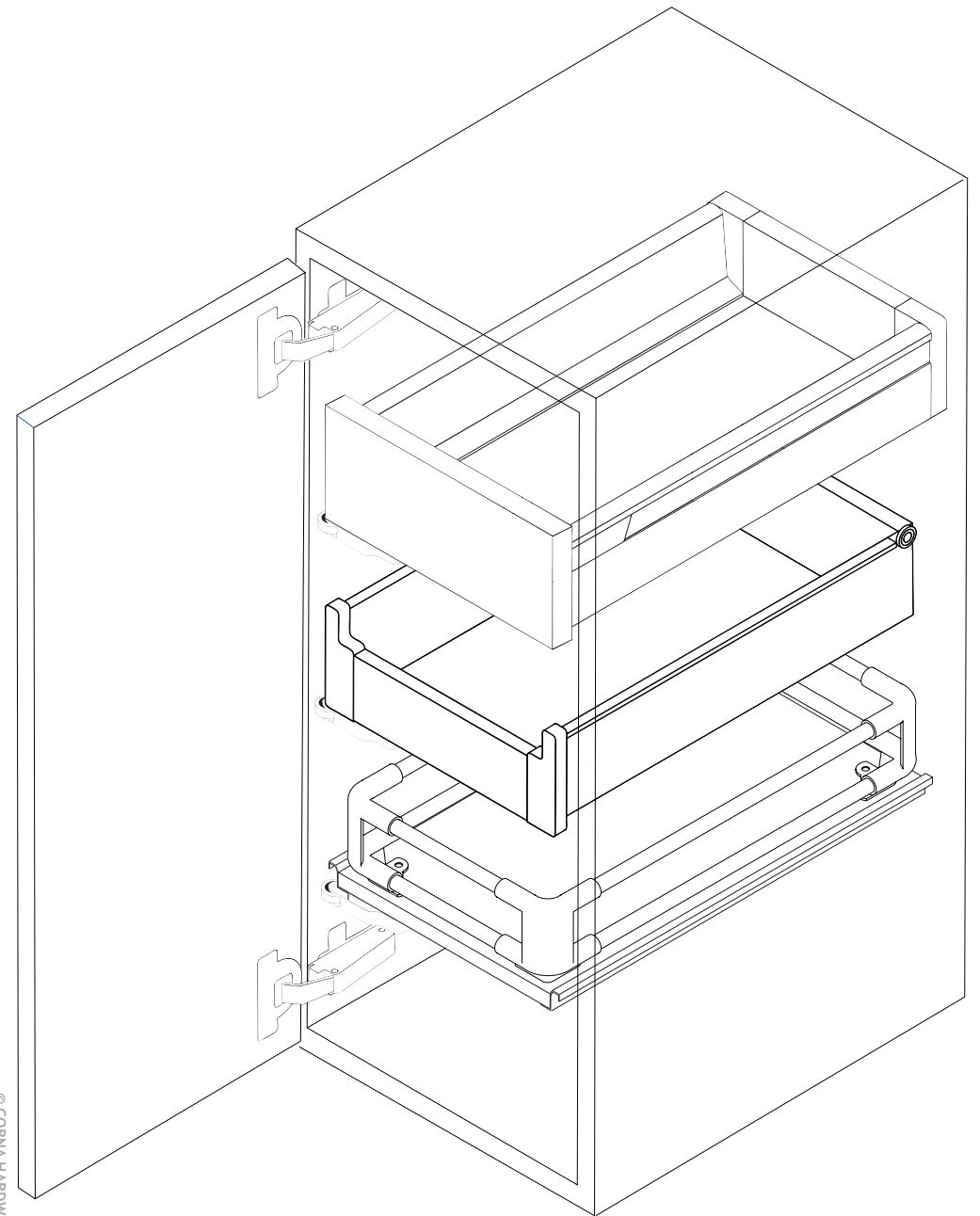
Slide door protector - fitting instructions

PAGE:

6 of 7

DESCRIPTION:

Set drawer or shelf minimum 8mm back from the front edge of the cabinet.
Use spacer to clear runner with shelf mounting application.



NAME:

Slide door protector - fitting instructions

PAGE:

7 of 7

DESCRIPTION:

And it's done!