

NAME:

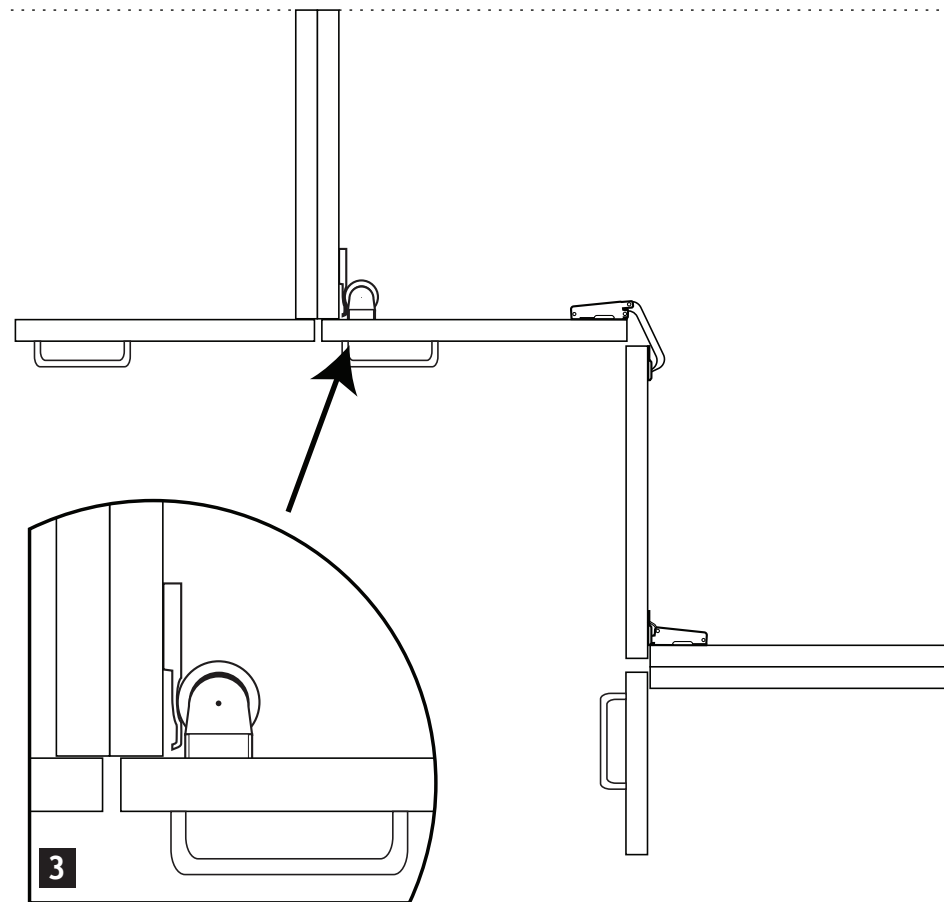
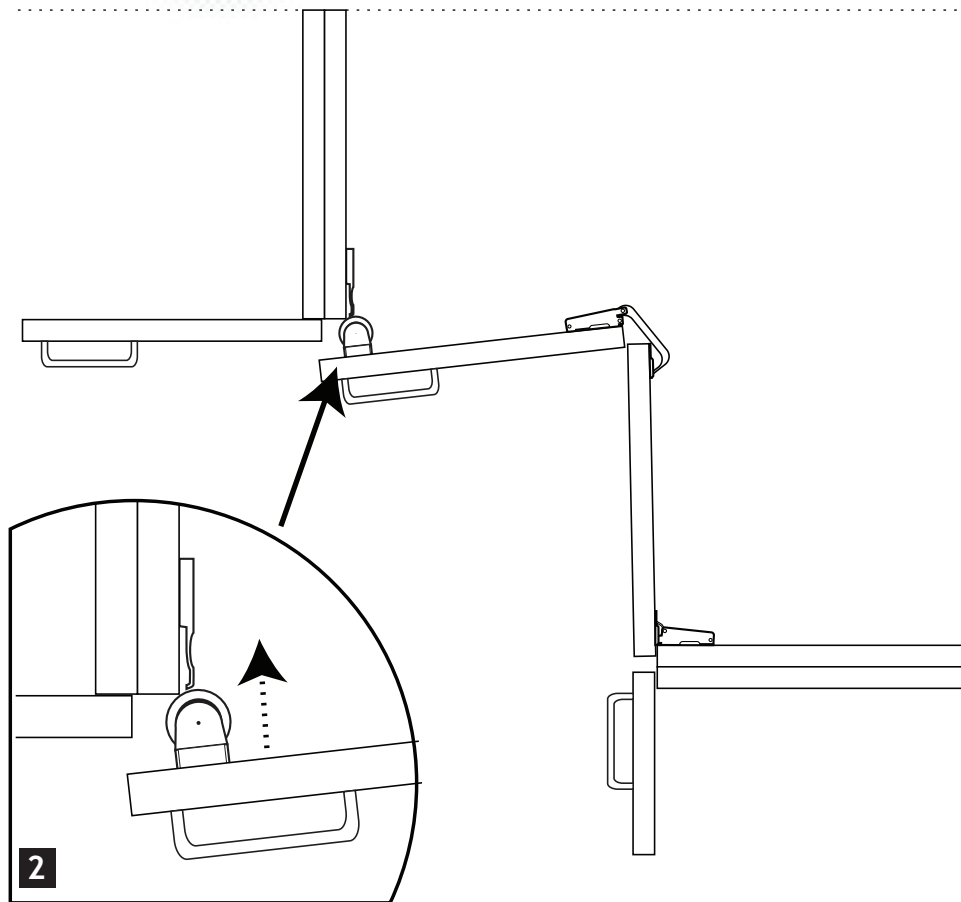
Support catch side mount - fitting instructions

PAGE:

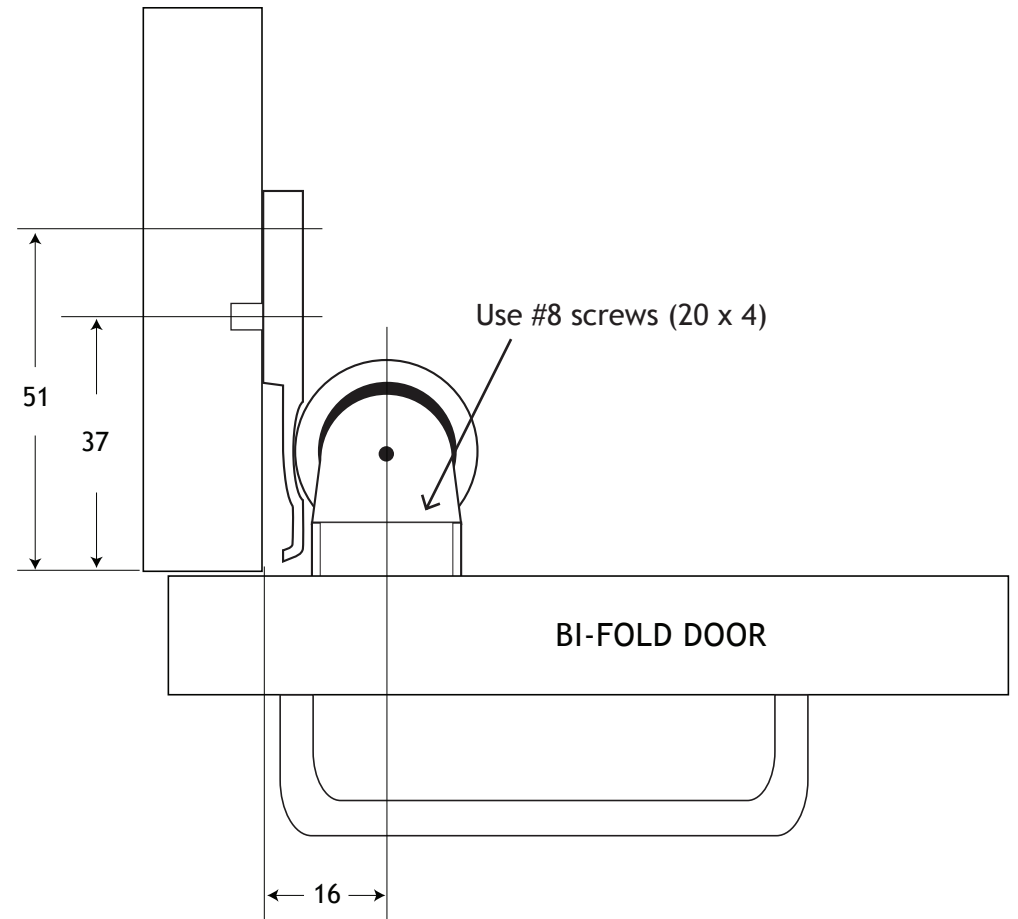
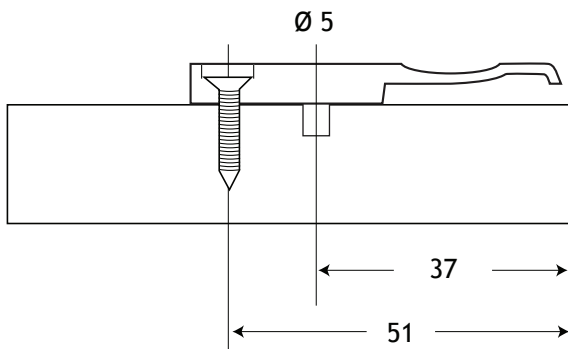
1 of 6

DESCRIPTION:

This catch is for standard 2 door corner units. 1.) Soft wheel stops damage to adjacent doors when wrongly operated.



<p>NAME: Support catch side mount - fitting instructions</p>	<p>PAGE: 2 of 6</p>
<p>DESCRIPTION: 2.) Prevents door edge contact. 3.) Keeper applies sideways tension preventing dropping of the cabinet door.</p>	



NAME:

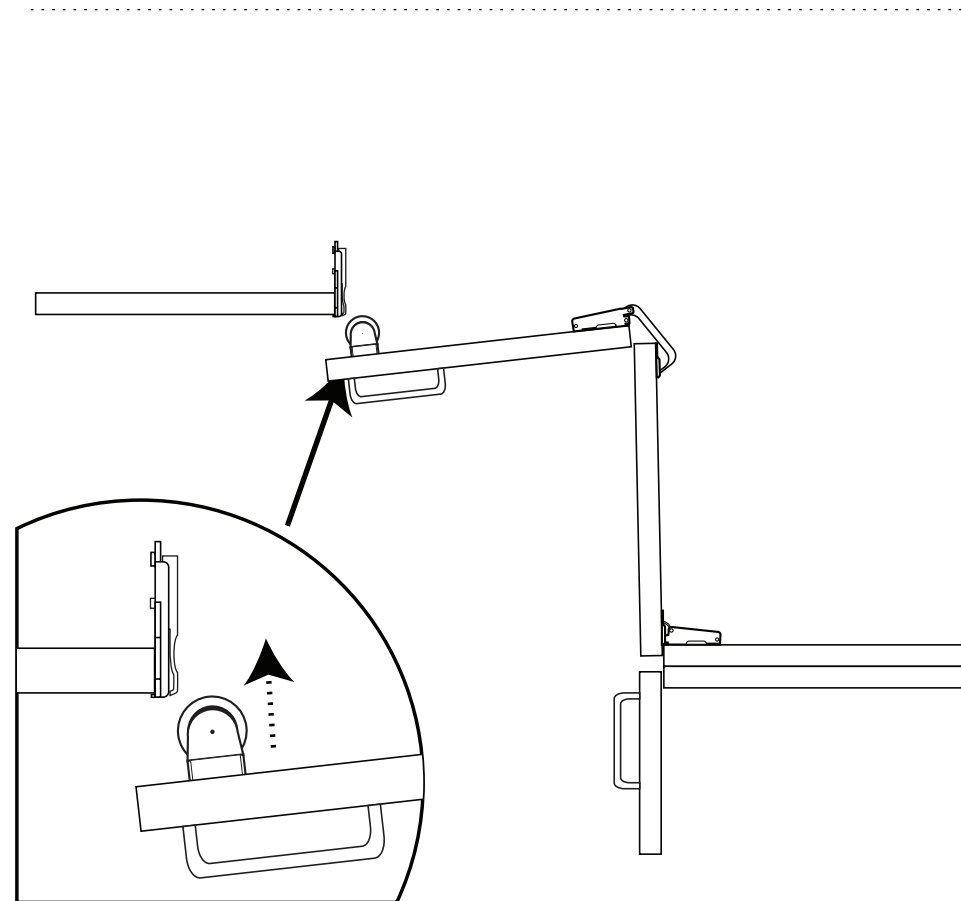
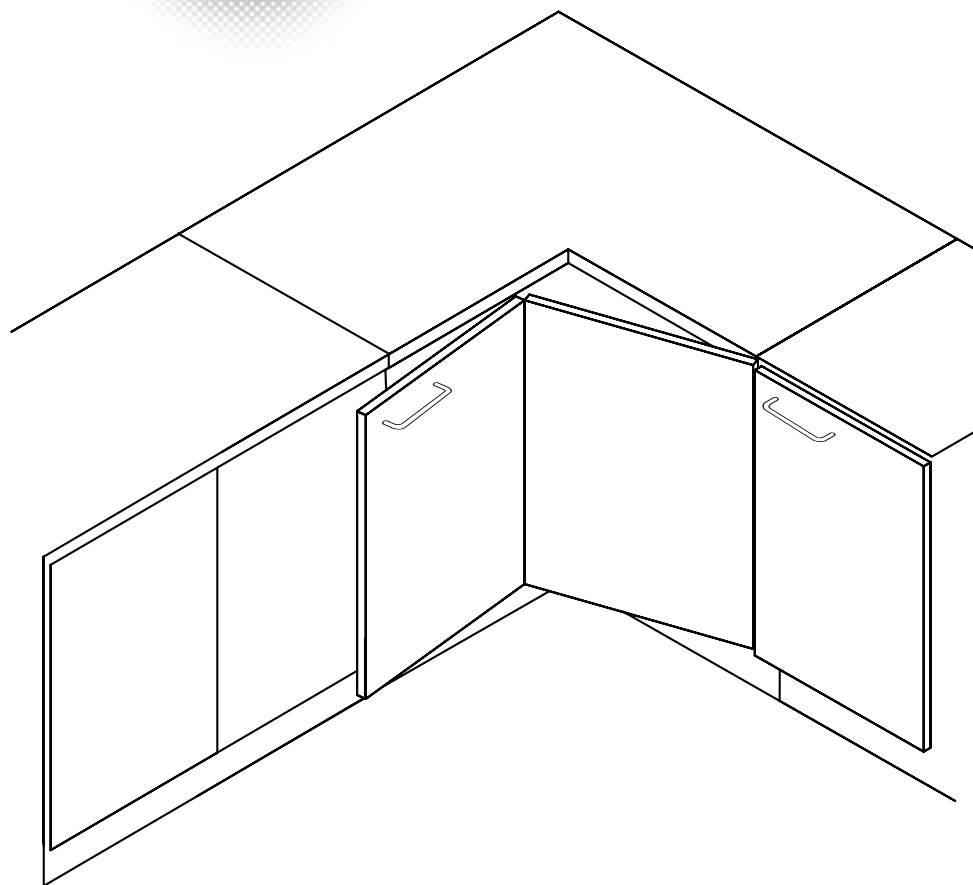
Support catch side mount - fitting instructions

PAGE:

3 of 6

DESCRIPTION:

The catch keeper has a 5mm/ 7/32" diameter pin which locates into a system 32 hole directly behind the location of the door handle but towards the top of the door on overhead cupboards. The wheel bracket fits to the back of the door as detailed in drawing.



NAME:

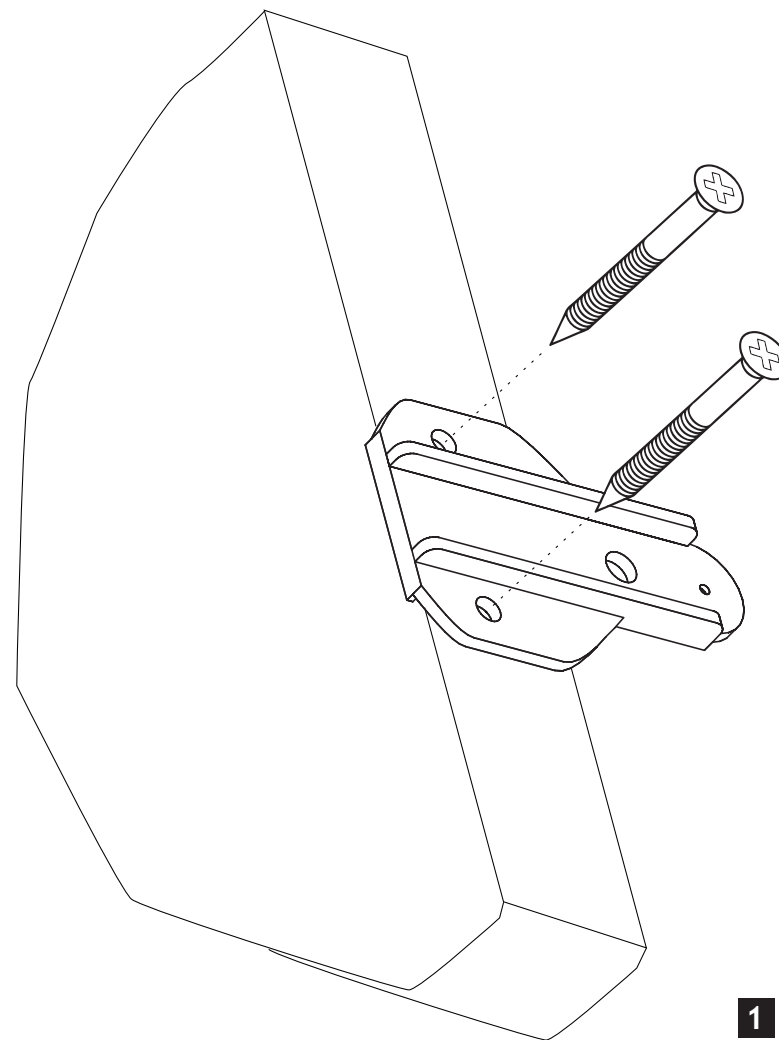
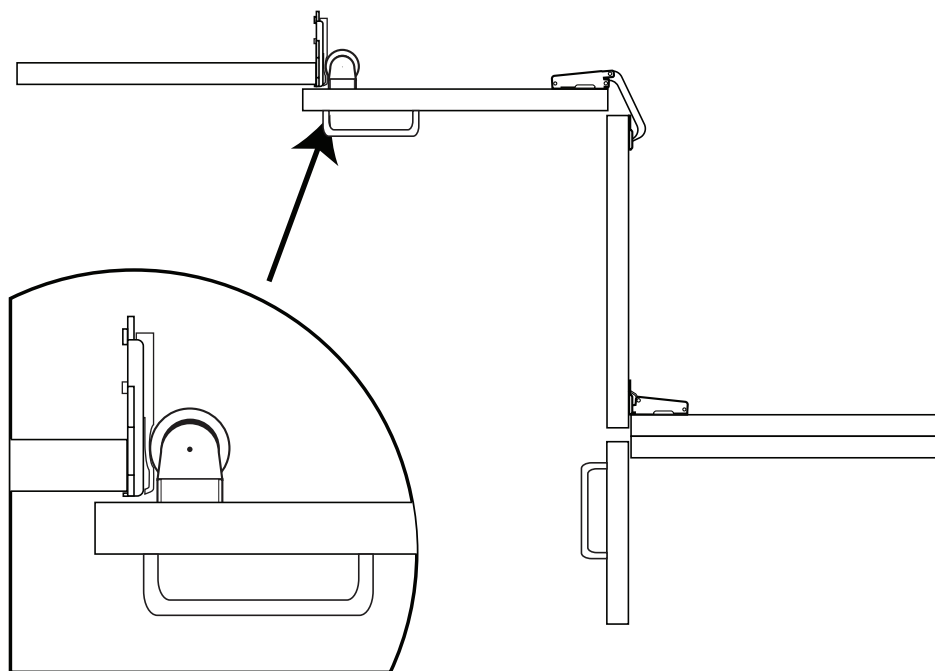
Support catch - Keeper Adaptor Plate

PAGE:

4 of 6

DESCRIPTION:

The Keeper Adaptor Plate is for standard 2 door corner units using face frame construction.



1

NAME:

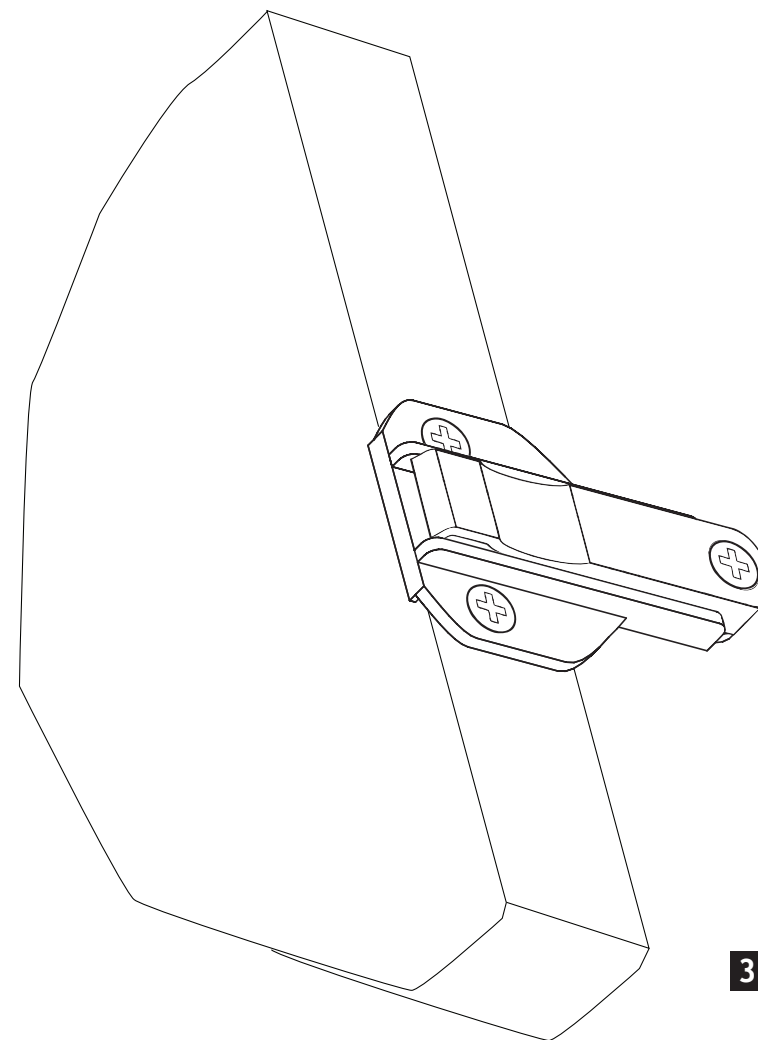
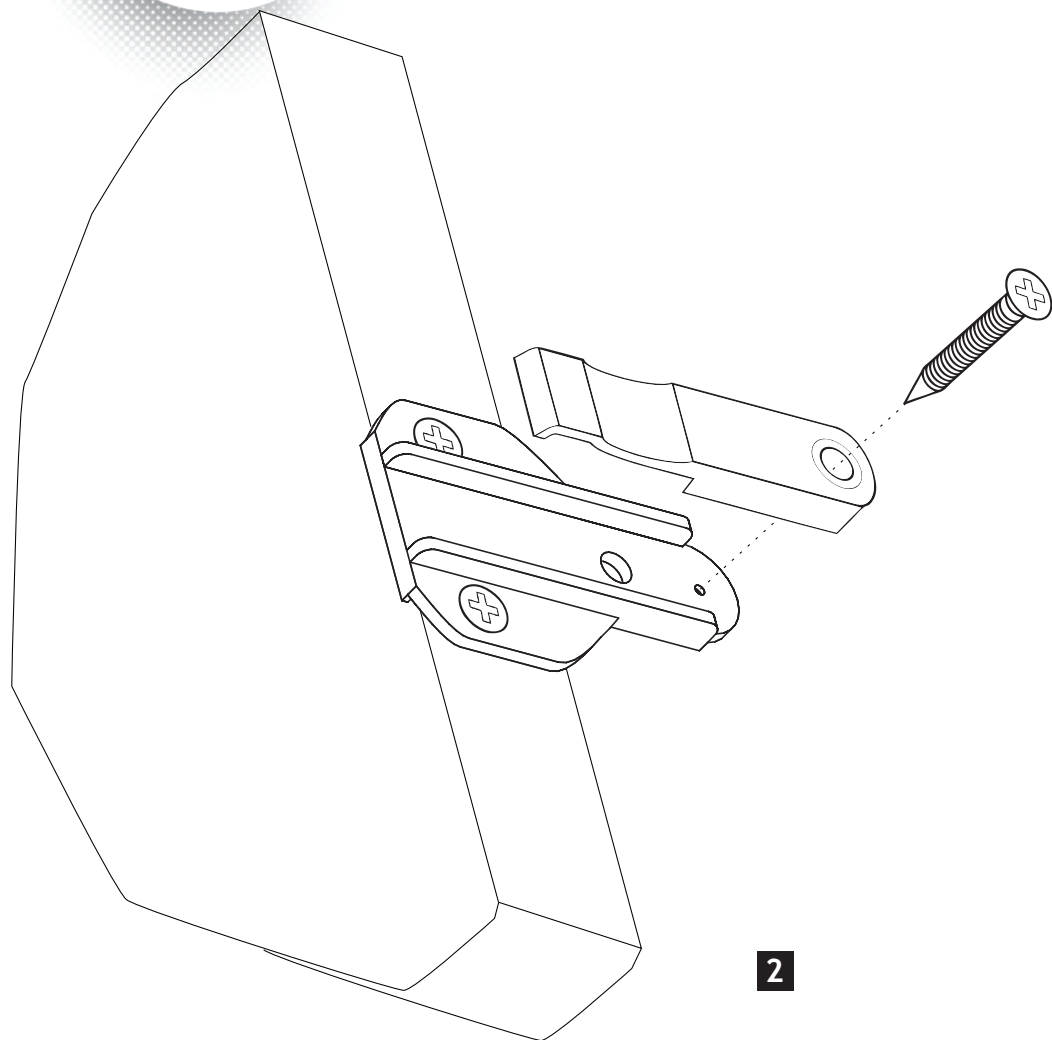
Support catch - Keeper Adaptor Plate

PAGE:

5 of 6

DESCRIPTION:

The Keeper Adaptor Plate is for standard 2 door corner units using face frame construction.



NAME:	PAGE:
Support catch - Keeper Adaptor Plate	6 of 6
DESCRIPTION: The Keeper Adaptor Plate is for standard 2 door corner units using face frame construction.	